

Durability - our passion

We produce hose & cable reels for professional usage with special demands on durability, power and repetitive usage. We like to look at our reels as companions. For us they are loyal friends that do the job, no matter the circumstances. Designed to last from the inside out, with attention to every detail down to the tiniest part. To perform with excellence through decades with unbeatable durability.



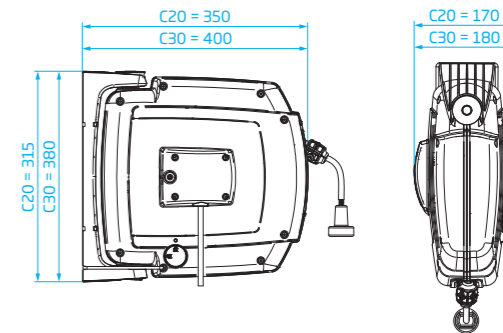
Cable Reel C20/C30

Perfect and practical for electrical tools. Modern design, safe and easy-to-use.

A safe and functional quality cable reel suitable for light industrial use, professional tradesmen or do-it-yourself workshops. C20/30 has a robust design in high impact composite material. Supplied with an easily mounted snap-on, pivoting wall bracket and a unique safety latch for safe and easy service. Available in different colors and suitable for electrical tools and hand lamps and has a thermal overload protection.



Product Design & Size (mm)

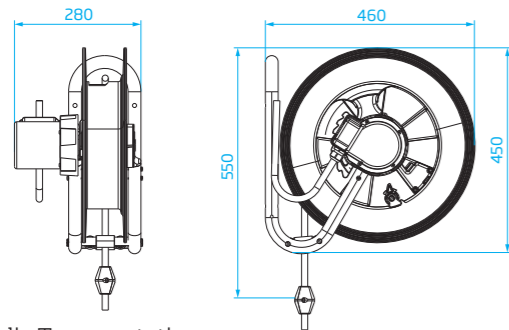


Electricity Power	Data Ethernet	Air (Compressed)	Nitrogene	Water (Normal & High pressure)	Water (Food)
•					
Oil	Grease	Oxygen Acetylen LPG/Propane	Alcohol Ethanol	AdBlue	Diesel

Professional usage light

Suitable for electrical tools.

Product Design & Size (mm)



Media Transportation

Electricity Power	Data Ethernet	Air (Compressed)	Nitrogene	Water (Normal & High pressure)	Water (Food)
•					
Oil	Grease	Oxygen Acetylen LPG/Propane	Alcohol Ethanol	AdBlue	Diesel

Professional usage heavy

Suitable for demanding industrial applications.



Cable Reel 793

A heavy duty robust cable reel.

A heavy duty cable reel for use in industrial applications. The cable reel is available in 1- and 3-phase versions.

The cable reel 793 accommodates power cable lengths up to 25 m (82 ft.). Made of composite materials and galvanized steel.

NEDERMAN TEST CENTRE

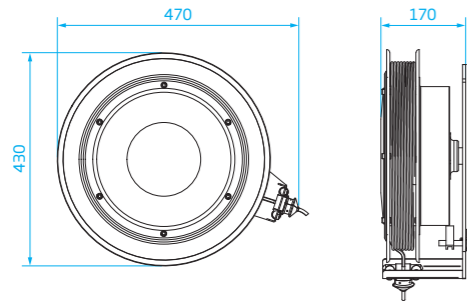
Testing for a sustainable workday

We test our reels rigorously from the tiniest part to the full unit. Testing swivels, cable and hose quality, for leakage, retraction capabilities, the drums ability to withstand temperature changes, impact and more.

We make the utmost to create reels that is easy to use and stands the test of time whatever the challenges.



Product Design & Size (mm)



Media Transportation

Electricity Power	Data Ethernet	Air (Compressed)	Nitrogene	Water (Normal & High pressure)	Water (Food)
•					
Oil	Grease	Oxygen Acetylen LPG/Propane	Alcohol Ethanol	AdBlue	Diesel

Professional usage light

Low voltage cable reel for signal transmission.



Cable Reel

744

Durable low voltage cable reel for signal transmission. 48V AC/DC 2A.

Durable cable reel for professional usage in light industrial applications when signal transmission is needed. The reel is produced in high impact resistant material and has an IP44 classification, which means it is protected from water splashes.

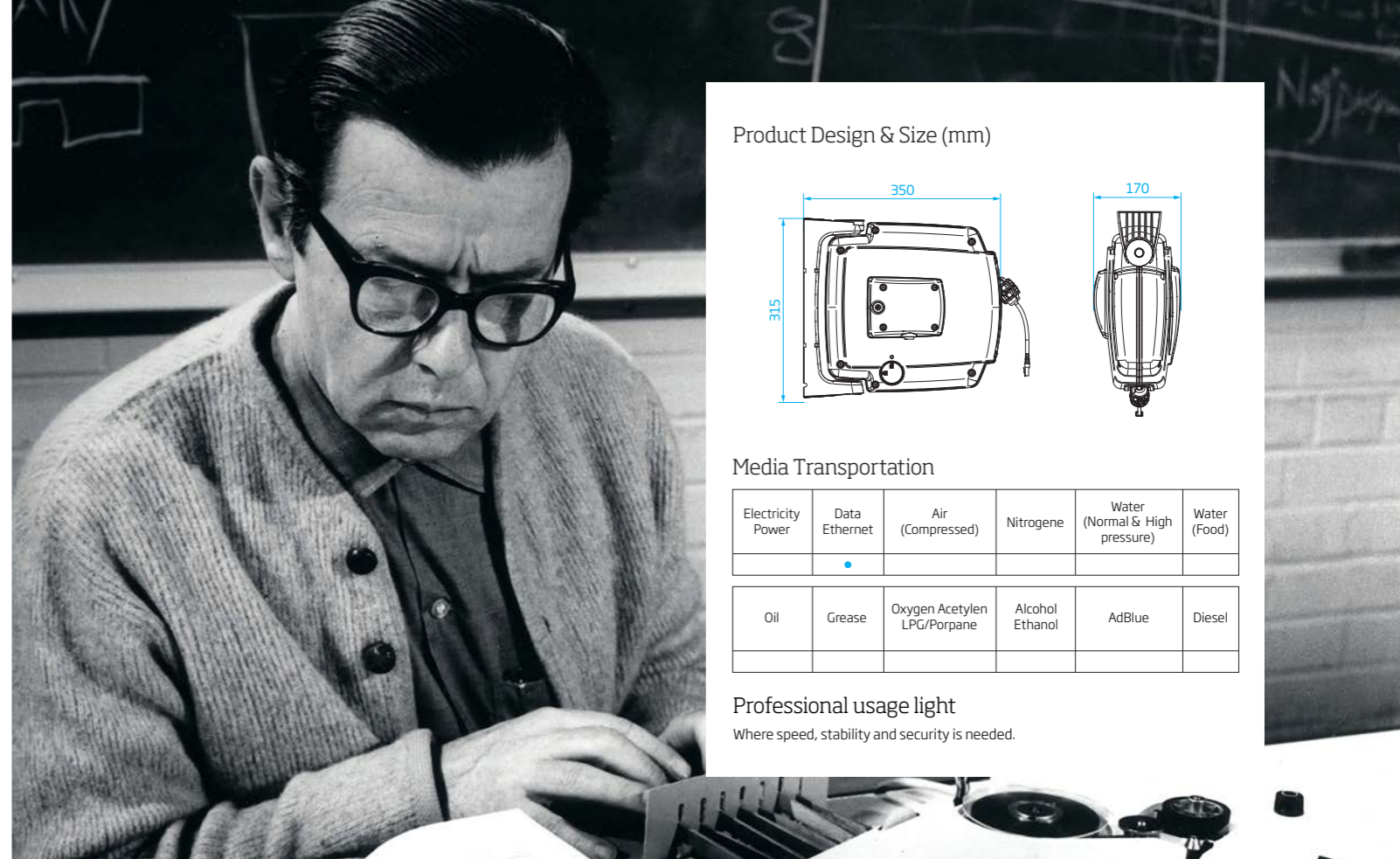
Perfect for signal transmission in applications like crane trucks, camera surveillance, overfill protection on tankers and more. The long rubber cable (50 m, 164 ft) make the reel easy to use.



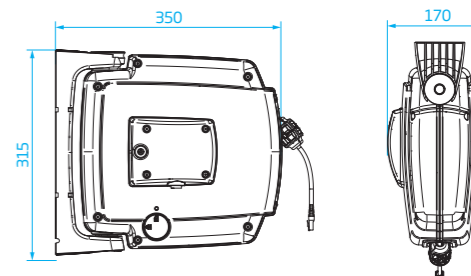
Data Reel D20

Data connection flexibility. Safe and easy-to-use cable reel with Cat7 Ethernet cable.

A reliable network connection is an essential part of every company's infrastructure. Although a wireless connection can be used, for maximum security, speed and stability a fixed connection is still the best option.



Product Design & Size (mm)



Media Transportation

Electricity Power	Data Ethernet	Air (Compressed)	Nitrogene	Water (Normal & High pressure)	Water (Food)
	•				
Oil	Grease	Oxygen Acetylen LPG/Propane	Alcohol Ethanol	AdBlue	Diesel

Professional usage light

Where speed, stability and security is needed.

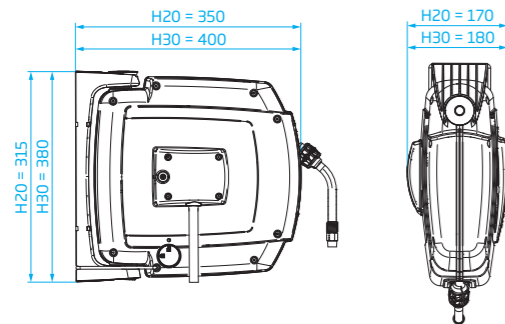
THE SWIVEL

Swivels that do the job

Transporting liquids through the swivel making it possible to turn the drum at the same time is a challenge. In addition it´s important to have the right swivel type to the right liquid. We dare to say we have the unrivaled knowledge and experience producing high quality reels and swivels for the right usage.



Product Design & Size (mm)



Media Transportation

Electricity Power	Data Ethernet	Air (Compressed)	Nitrogene	Water Normal pressure	Water (Food)
		•		•	
Oil	Grease	Oxygen Acetylen LPG/Propane	Alcohol Ethanol	AdBlue	Diesel

Professional usage light

Suitable for blow & water guns, pneumatic tools, staplers and more.



Hose Reel H20/H30

Suitable for both water and air and with design in mind. Safe and easy-to-use.

The hose reel H20 for water and air is suitable for light industrial use, professional tradesmen or do-it-yourself workshops. H20/30 has a robust design in high impact composite materials. Supplied with an easily mounted snap-on, pivoting wall bracket and a unique safety latch for safe and easy service. Available in different colors and suitable for pneumatic tools, staplers and blow guns.



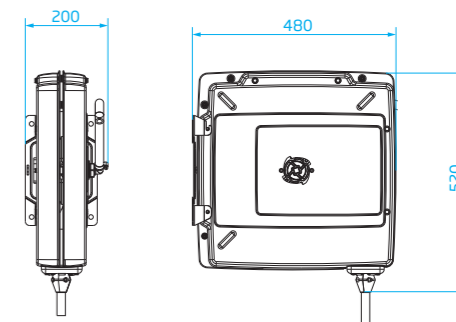
Hose Reel 883

Encased and robust reel for air and many different types of fluids.

A fully plate encased and robust, medium sized hose reel where we have combined the parts in the best possible way to a solid unit. Highly suitable for applications in vehicle repair and maintenance workshops. Easy to install, supplied with optimized spring force ensuring that the hose retracts smoothly and evenly onto the drum for many years.



Product Design & Size (mm)



Media Transportation

Electricity Power	Data Ethernet	Air (Compressed)	Nitrogen	Water (Normal & High pressure)	Water (Food)
		•	•	•	
Oil	Grease	Oxygen Acetylen LPG/Propane	Alcohol Ethanol	AdBlue	Diesel
•	•		•		

Professional usage heavy

Perfect for vehicle repair and maintenance workshops.

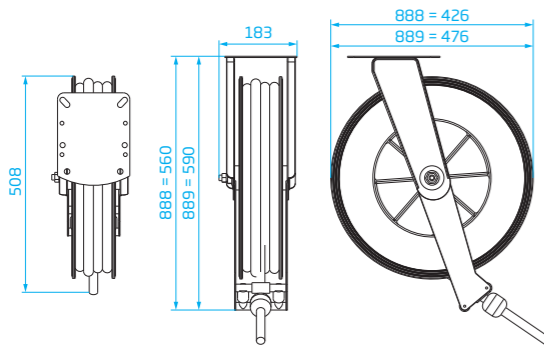


THE SPRING

Springs that last through decades

The spring is the heart of a reel. Too hard and it can create work related injuries when using the reel. Too loose and the hose/cable is not retracted in the right way after a while. Our springs make the retraction even and with the right tension. In addition it will last for decades, if ever needed, our spring can easily be replaced with available spare parts. Long time after the reel was bought.

Product Design & Size (mm)



Media Transportation

Electricity Power	Data Ethernet	Air (Compressed)	Nitrogene	Water (Normal & High pressure)	Water (Food)
		•	•	•	•
Oil	Grease	Oxygen Acetylen LPG/Propane	Alcohol Ethanol	AdBlue	Diesel
•	•		•	•	

Professional usage heavy

Suitable for normal applications to environments with humidity or risk of chemical attack.



Hose Reel

888/889

Versatile and durable reel with models for non to highly corrosive environments.

A reel to use from normal industrial applications to environments with high humidity or where there is a risk of chemical attack. The model range also include ATEX approved reels and the reel can be used with a wide range of fluids. Developed to be easy to service, maintain and keep clean.

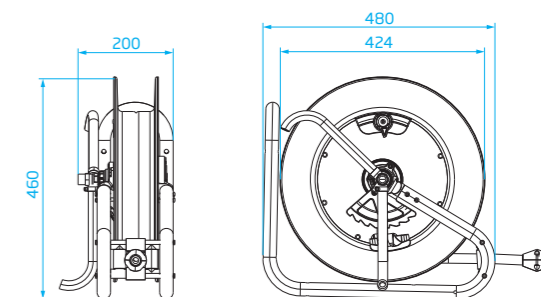


Hose Reel 893

A heavy duty hose reel for industrial usage.

Robust and open design for many industrial applications. With its unique stand design it has great mounting and usage flexibility. Versatile and easily installed in industrial and workshop environments. Very easy to service, maintain and keep clean.

Product Design & Size (mm)



Media Transportation

Electricity Power	Data Ethernet	Air (Compressed)	Nitrogen	Water (Normal & High pressure)	Water (Food)
		•	•	•	•
Oil	Grease	Oxygen Acetylen LPG/Propane	Alcohol Ethanol	AdBlue	Diesel
•	•				

Professional usage heavy

Suitable for usage in areas with high humidity and corrosion risks.

THE BALL BEARING

Ball bearings – the only solution

Ball bearings makes the retraction even and smooth making it easy to use the reel, avoiding future work related stress to your body. Ball bearing make the reel work for decades. That ´s why we don't compromise – a quality reel have ball bearings.



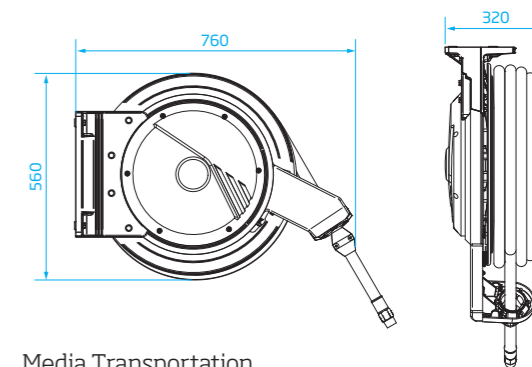


Hose Reel 884

Top of the line heavy duty hose reel for most type of fluids in demanding environments.

Heavy duty hose reel developed for air, water, oil, diesel and grease. Ball bearings in drum and swivel. Fully protected inner mechanisms, strong, durable and highly corrosion resistant to withstand the test of time. The adjustable outlet arm minimizes friction. Top of the line to be used in demanding environments.

Product Design & Size (mm)



Media Transportation

Electricity Power	Data Ethernet	Air (Compressed)	Nitrogene	Water (Normal & High pressure)	Water (Food)
		•	•	•	•
Oil	Grease	Oxygen Acetylen LPG/Propane	Alcohol Ethanol	AdBlue	Diesel
•	•				•

Professional usage heavy & extreme

Designed for very demanding environments and food industry.

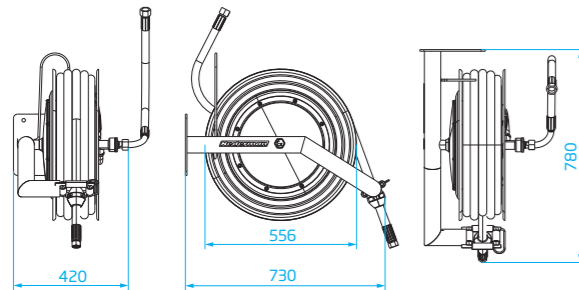


THE CABLES & HOSES

High quality cables & hoses

Our high quality cables and hoses in rubber withstand the power, air, water pressure and other liquids needed and will be soft and easy to handle even in challenging temperatures. Test different reels yourself and you will immediately feel the difference.

Product Design & Size (mm)

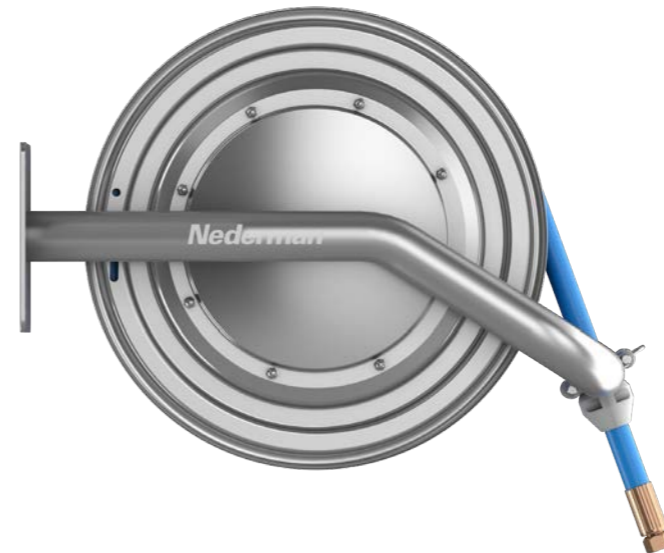


Media Transportation

Electricity Power	Data Ethernet	Air (Compressed)	Nitrogene	Water (Normal & High pressure)	Water (Food)
		•	•	•	•
Oil	Grease	Oxygen Acetylen LPG/Propane	Alcohol Ethanol	AdBlue	Diesel

Professional usage heavy & extreme

Aggressive environments, food industry and EX/combustable dust environments.



Hose Reel

886

The stainless steel reel to use in aggressive corrosive areas and ATEX.

Designed for durability in tough applications from offshore, high air chlorine levels to the most aggressive environments. In addition approved for ATEX installations. To be used in the toughest environments for many years.

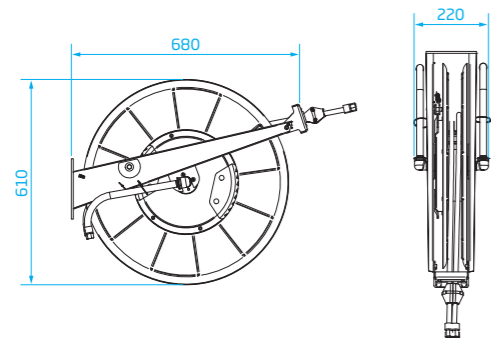


THE FLEXIBLE SOLUTION

Future proof flexibility

We design for flexibility. Most of the reels can easily be mounted on wall, floor and/or ceiling. In addition our reels for air or water can be used for both. That gives you future proof flexibility without having to buy new reels. For most other reels on the market that's not the case.

Product Design & Size (mm)

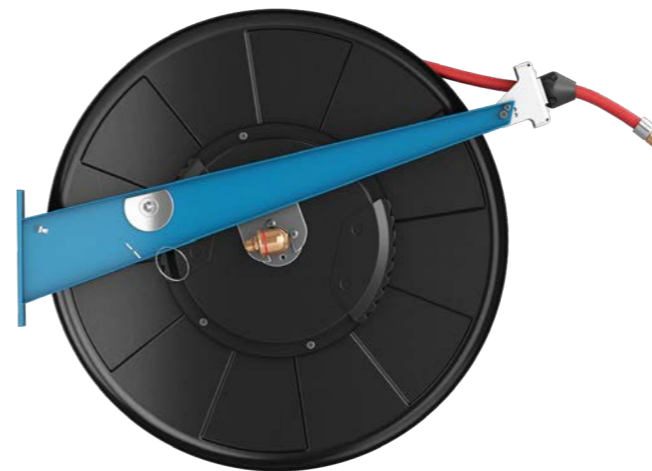


Media Transportation

Electricity Power	Data Ethernet	Air (Compressed)	Nitrogene	Water (Normal & High pressure)	Water (Food)
Oil	Grease	Oxygen Acetylen LPG/Propane	Alcohol Ethanol	AdBlue	Diesel

Professional usage heavy

The ultimate sustainable solution for welders.



Hose Reel 876

Welding reel designed to handle oxygen and acetylene in the best way when welding.

The Hose Reel 876 is the ultimate sustainable solution for oxygen & acetylene or oxygen & LPG welding in terms of safety, durability and easy handling. Well ventilated, single layer hose feed and storage, highest safety and easy handling without tangles. Open design for easy servicing and much more designed into the reel.



THE WARRANTY

10 year
warranty

Through great experience we dare to say we master the craft of combining the parts of the reel in the best possible way. Collecting all their individual strengths into one solid unit where every single part benefits from each other to build an even stronger unity. Our reels are built to perform with excellence through decades. With Nederman reels you get a 10 year warranty* on material and workmanship.

*Product failure or damage caused by wear & tear is not included.
Terms & conditions apply.